

Piston Rotary Pump Accessories

Oil Fuelling Tank

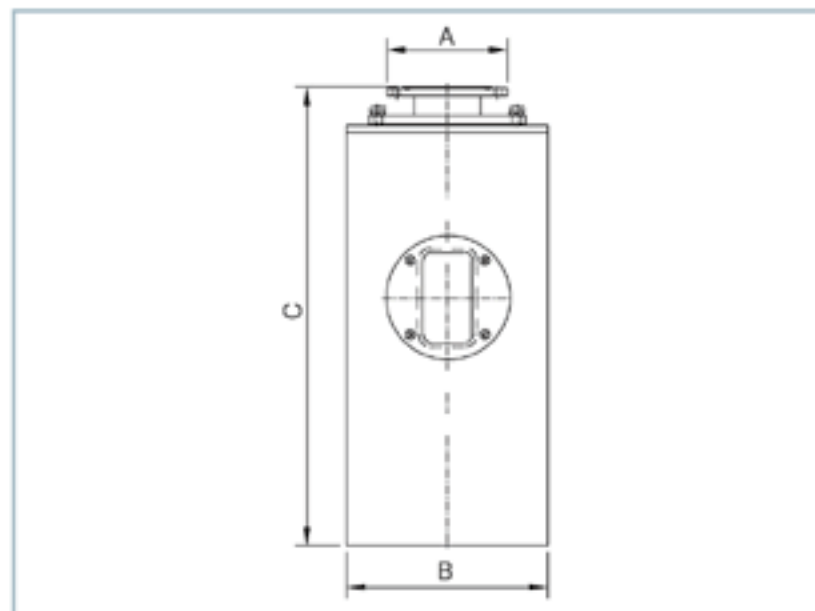
Design



Features

- 저진공 상태에서 장시간 또는 연속배기 작업시 오일보충탱크를 적용하면 가동율이 향상된다.
- 재질 : 스틸 / 스테인레스
- The operation rate is elevated with a Oil Fuelling Tank in case of continuous exhausting in low vacuum state.
- Material : Steel / Stainless

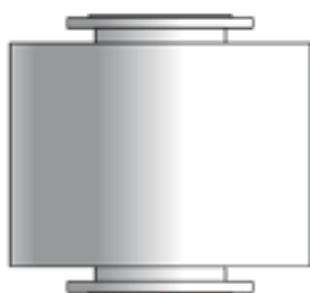
Outline Drawing



Model	A	B	C
OFT-4500	VG-80	φ 267	620
OFT-8000	VG-100	φ 350	800

Oil Mist Trap

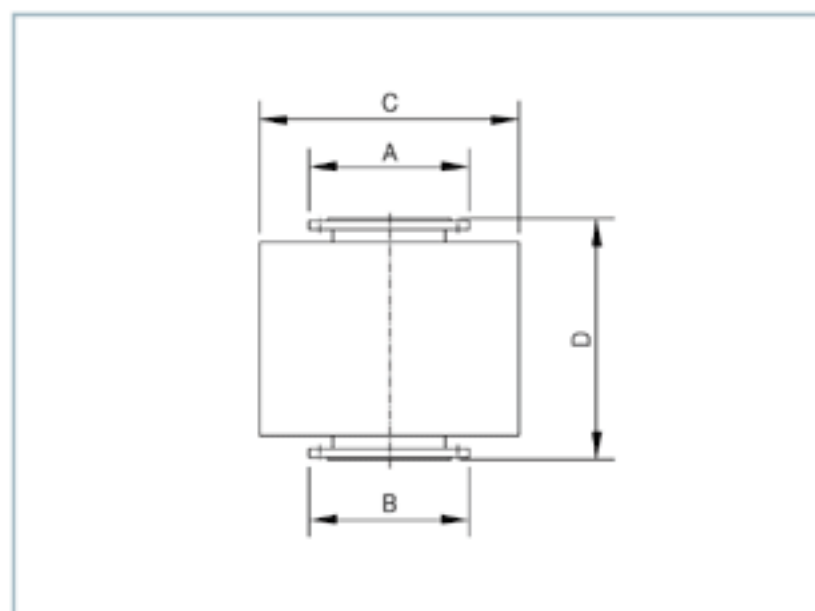
Design



Features

- 재질 : 스틸 / 스테인레스
- Material : Steel / Stainless

Outline Drawing



Model	Filter	A	B	C	D
OMT-4500	φ 100×195 : 3Set	VG-80	VF-80	φ 250	250
OMT-8000	φ 100×195 : 4Set	VG-100	VF-100	φ 300	280